

ZEHN

3/4" THERMOSTATIC SHOWER SYSTEM

SET.Z1.141.810

Components Included

- **VE.140** - 3/4" Thermostatic valve without diverter
- **TM.Z1.140** - Trim for 3/4" thermostatic valve
- **VE.DR.30** - 3/4" 3-way diverter with shut-off
- **TM.Z1.30** - Trim for 3-way diverter
- **SH.09.0808** - 8" round full brass shower head
- **WA.09.16** - 16" wall mount shower arm with 1/2" male NPT connection
- **BH.09.05** - 27" sliding shower bar with hose and 4-function hand shower (HS.09.05)
- **EC.09.01** - Round brass elbow connector with 1/2" female NPT connection
- **EJ.02.01** - Round exposed body jet with 1/2" female NPT connection (x4)

Available Finishes

- Chrome (CC)
- Matte Black (MB)
- Polished Nickel (PN)
- Brushed Gold (BG)
- Chrome / Matte Black (CB)
- Stainless Steel / Matte Black (SB)
- Polished Nickel / Matte Black (PB)
- Brushed Gold / Matte Black (BGB)

(Model Pictured: Chrome)

Codes / Standards

- Uniform Plumbing Code (UPC®)
- ASME A112.18.1/CSA B125.1
- ASSE 1016

Warranty

- Valve & cartridge - Limited lifetime warranty
- Components - Limited lifetime warranty (see full warranty for details)

Please note that this shower kit is also available with a 4" ceiling arm (**CA.03.04**) & 8" ceiling arm (**CA.03.08**)

4" ceiling arm Configuration - **SET.Z1.141.814**

8" ceiling arm Configuration - **SET.Z1.141.818**

Vogt Industries reserves the right to change the product material and specifications without notice. Actual product may differ from pictures. For further enquiries or assistance please contact service@vogtindustries.com.



ZEHN

¾" THERMOSTATIC VALVE & TRIM WITHOUT DIVERTER

VT.Z1.140

Description

- **VE.140** - ¾" valve with thermostatic cartridge
- **TM.Z1.140** - Trim for ¾" thermostatic valve
- Volume control or diverter with shut-off is required

Flow Rate

- 7.2 gpm / 27.4 lpm / 60 psi

Cartridge

- CE.1401.TT - Cartridge

Available Finishes

- Chrome (CC)
- Matte Black (MB)
- Polished Nickel (PN)
- Brushed Gold (BG)
- Matte Black / Chrome (CB)
- Matte Black / Stainless Steel (SB)
- Matte Black / Polished Nickel (PB)
- Matte Black / Brushed Gold (BGB)

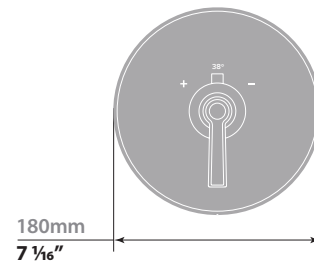
(Model Pictured: Chrome)

Codes / Standards

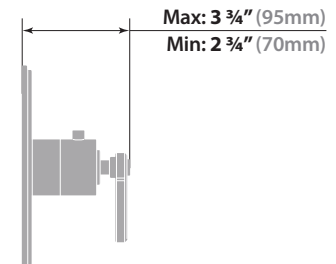
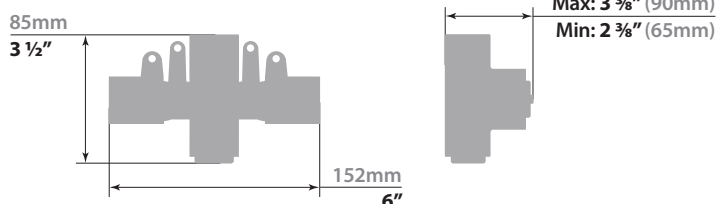
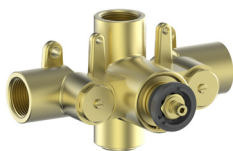
- Uniform Plumbing Code (UPC®)
- ASME A112.18.1/CSA B125.1

Warranty

- Limited Lifetime Warranty (see full warranty for details)



VE.140 - ¾" Thermostatic Valve



3/4" THERMOSTATIC VALVE

VE.140

Description

- Valve with thermostatic cartridge
- 3/4" female NPT connections
- 1/2" male NPT adaptors included
- Volume control or diverter with shut-off is required

Flow Rate

- 7.2 gpm / 27.4 lpm / 60 psi

Cartridge

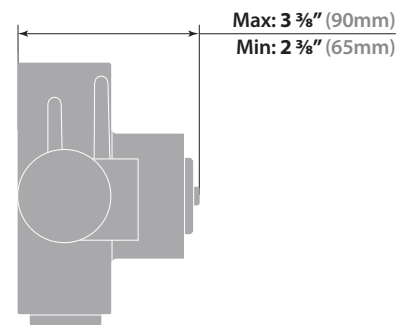
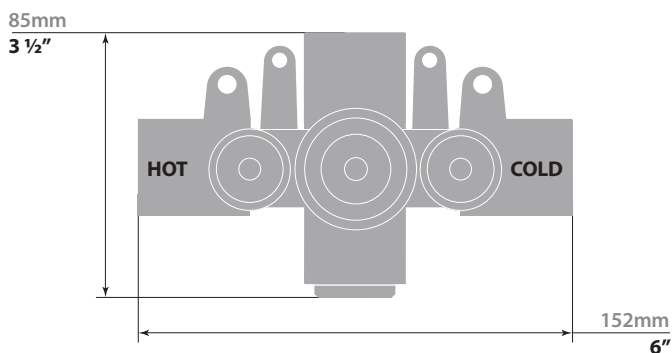
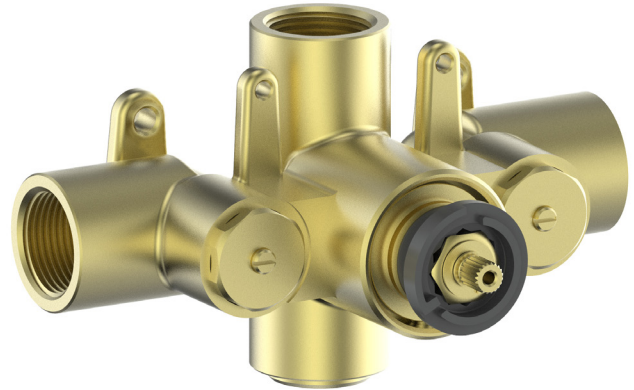
- CE.1401.TT cartridge

Codes / Standards

- Uniform Plumbing Code (UPC®)
- ASME A112.18.1/CSA B125.1
- ASSE 1016

Warranty

- Limited lifetime warranty
(see full warranty for more details)



ZEHN

3/4" 3-WAY DIVERTER WITH SHUT-OFF & TRIM

DR.Z1.30

Description

- VE.DR.30 - 3/4" 3-way diverter with cartridge
- TM.Z1.30 - Trim for 3-way diverter
- 5 positions

Cartridge

- CE.1408.DR - diverter

Available Finishes

- Chrome (CC)
- Matte Black (MB)
- Polished Nickel (PN)
- Brushed Gold (BG)
- Matte Black / Chrome (CB)
- Matte Black / Stainless Steel (SB)
- Matte Black / Polished Nickel (PB)
- Matte Black / Brushed Gold (BGB)

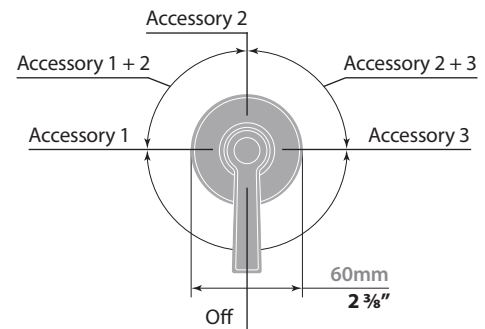
(Model Pictured: Chrome)

Codes / Standards

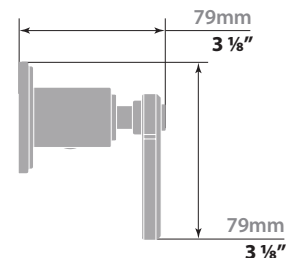
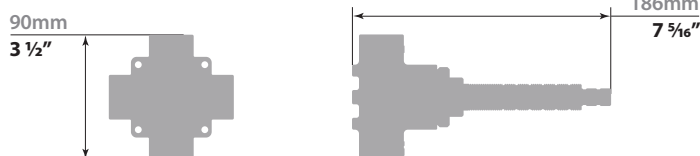
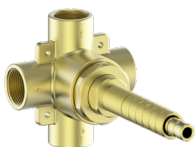
- Uniform Plumbing Code (UPC®)
- ASME A112.18.1/CSA B125.1
- ASSE 1016

Warranty

- Limited lifetime warranty (see full warranty for details)



VE.DR.30 - 3/4 3-Way Diverter with Shut-Off



3/4" 3-WAY DIVERTER

VE.DR.30

Description

- 3-way diverter with cartridge
- 3/4" female NPT connections
- 1/2" male NPT adaptors included
- 5 positions

Cartridge

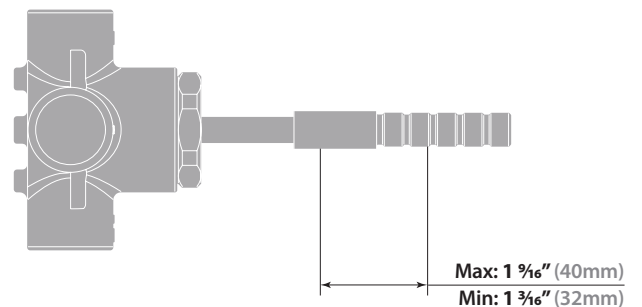
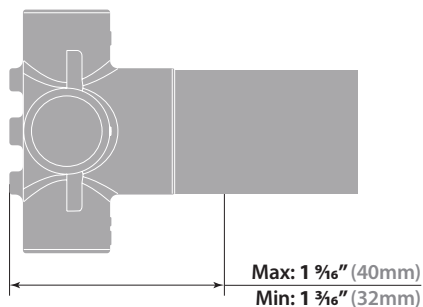
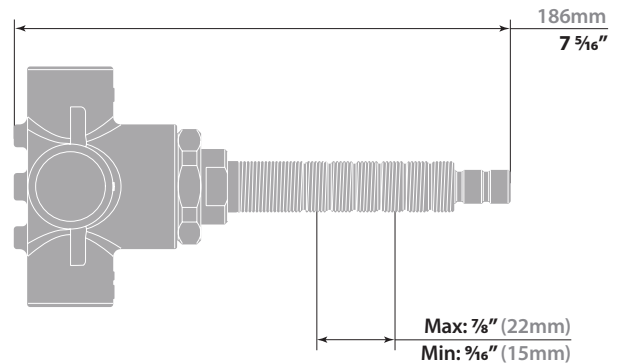
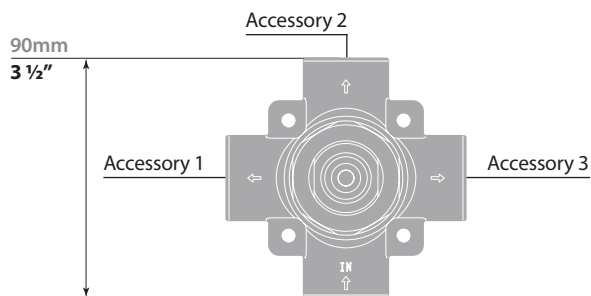
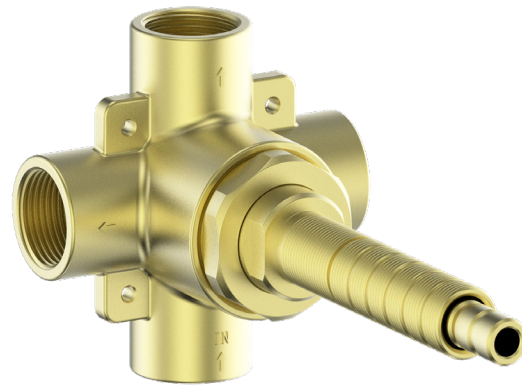
- CE.1408.DR - diverter

Codes / Standards

- Uniform Plumbing Code (UPC®)
- ASME A112.18.1/CSA B125.1
- ASSE 1016

Warranty

- Limited lifetime warranty
(see full warranty for more details)



16" WALL ARM

WA.09.16

Description

- 16" wall mount shower arm with 1/2" male NPT connection
- Round pipe with round escutcheon plate

Available Finishes

- Chrome (CC)
- Matte Black (MB)
- Polished Nickel (PN)
- Brushed Gold (BG)
- Chrome / Matte Black (CB)
- Stainless Steel / Matte Black (SB)
- Polished Nickel / Matte Black (PB)
- Brushed Gold / Matte Black (BGB)

(Model Pictured: Chrome)

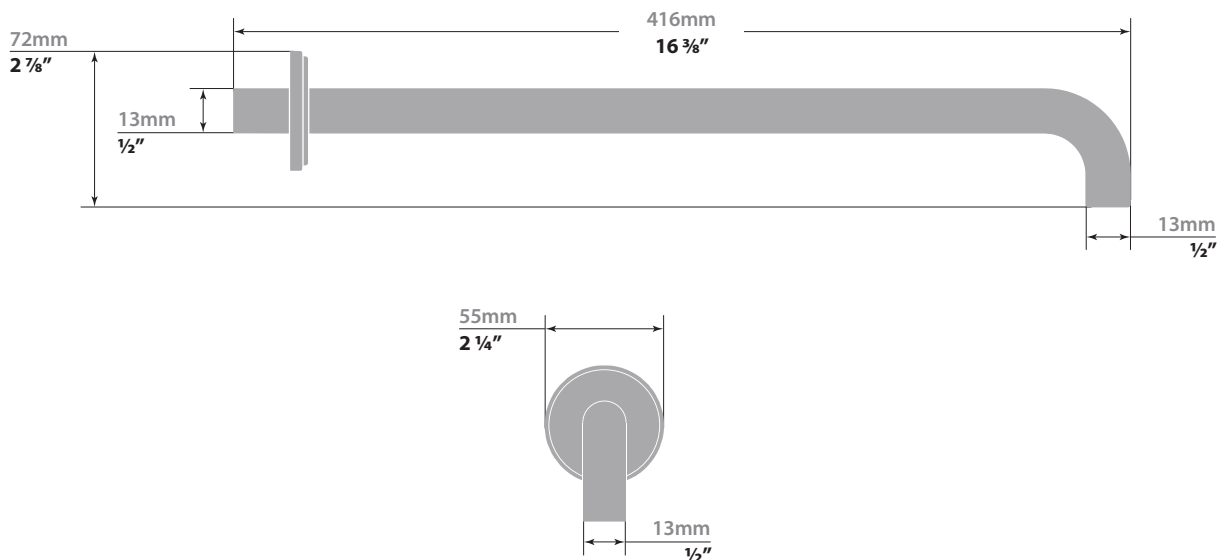


Codes / Standards

- Uniform Plumbing Code (UPC®)
- ASME A112.18.1/CSA B125.1

Warranty

- Limited lifetime warranty (see full warranty for details)



8" ROUND SHOWER HEAD

SH.09.0808

Description

- 8" round full brass shower head
- Anti-limescale technology

Flow Rate

- 2 gpm / 7.6 lpm / 60 psi

Available Finishes

- Chrome (CC)
- Matte Black (MB)
- Polished Nickel (PN)
- Brushed Gold (BG)

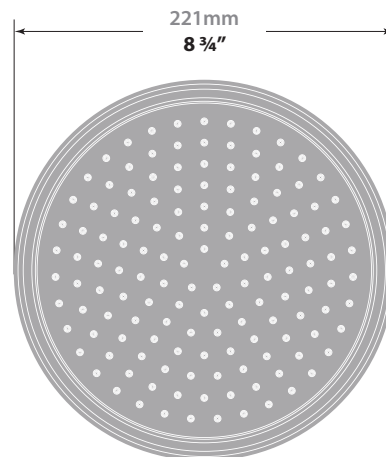
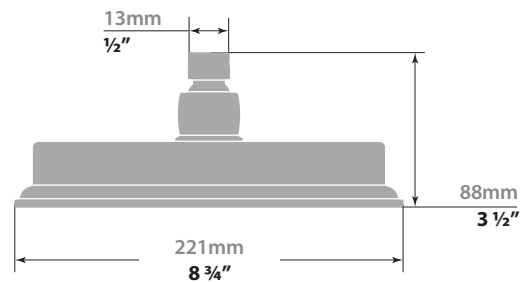
(Model Pictured: Chrome)

Codes / Standards

- Uniform Plumbing Code (UPC®)
- ASME A112.18.1/CSA B125.1

Warranty

- Limited lifetime warranty
(see full warranty for details)



ZEHN

SLIDING SHOWER BAR WITH HANDSHOWER

BH.09.05

Description

- SB.09.27 - 27" sliding shower bar
- HE.150 - 59" hose
- HS.09.05 - 4-function hand shower

Flow Rate

- 2.0 gpm / 7.6 lpm / 60 psi

Available Finishes

- Chrome (CC)
- Matte Black (MB)
- Polished Nickel (PN)
- Brushed Gold (BG)
- Chrome / Matte Black (CB)
- Stainless Steel / Matte Black (SB)
- Polished Nickel / Matte Black (PB)
- Brushed Gold / Matte Black (BGB)

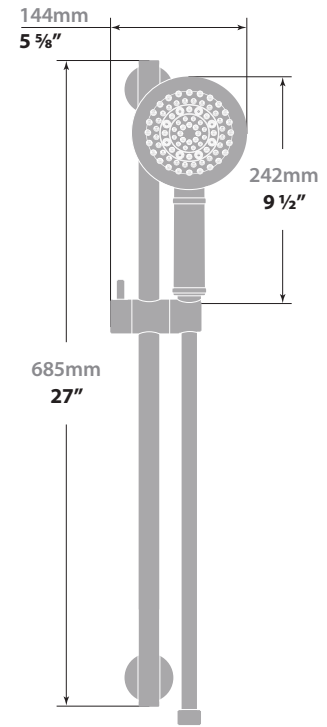
(Model Pictured: Chrome)

Codes / Standards

- Uniform Plumbing Code (UPC®)
- ASME A112.18.1/CSA B125.1
- ASSE 1016

Warranty

- Limited lifetime warranty
(see full warranty for details)



ROUND WALL SUPPLY ELBOW

EC.09.01

Description

- Round brass elbow connector with 1/2" female NPT connection

Available Finishes

- Chrome (CC)
- Matte Black (MB)
- Polished Nickel (PN)
- Brushed Gold (BG)
- Chrome / Matte Black (CB)
- Stainless Steel / Matte Black (SB)
- Polished Nickel / Matte Black (PB)
- Brushed Gold / Matte Black (BGB)

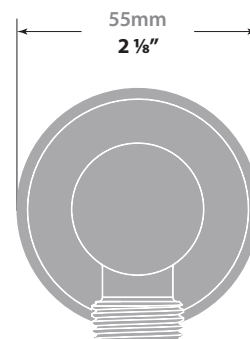
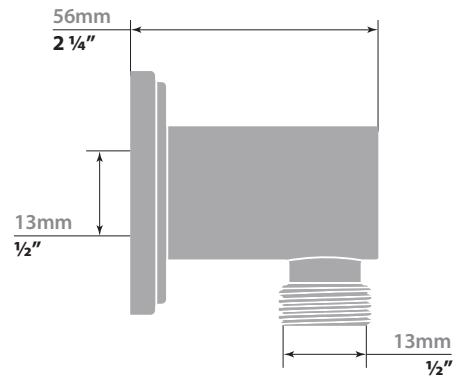
(Model Pictured: Chrome)

Codes / Standards

- Uniform Plumbing Code (UPC®)
- ASME A112.18.1/CSA B125.1

Warranty

- Limited lifetime warranty (see full warranty for details)



ROUND EXPOSED JET

EJ.02.01

Description

- Exposed body jet with 1/2" female NPT connection

Flow Rate

- 1.9 gpm / 7.4 lpm / 60 psi

Available Finishes

- Chrome (CC)
- Matte Black (MB)
- Brushed Nickel (BN)
- Polished Nickel (PN)
- Brushed Gold (BG)

(Model Pictured: Chrome)

Codes / Standards

- Uniform Plumbing Code (UPC®)
- ASME A112.18.1/CSA B125.1

Warranty

- Limited lifetime warranty
(see full warranty for details)

